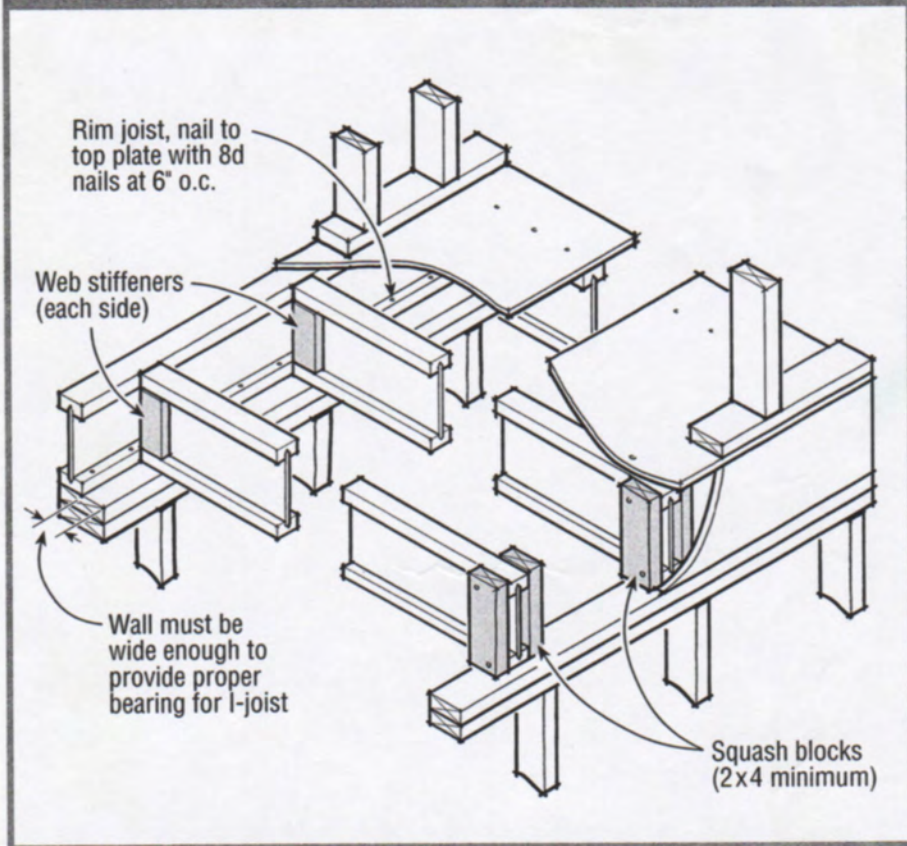


**Figure 2-40. Rim Joists**



*In I-joist construction, band joists typically consist of wood I-joists, plywood, or special composite rim joist materials. Web stiffeners may be required on long spans. Squash blocks may be required with thinner rim joist materials when there is a load-bearing wall above. Check manufacturer's specifications.*