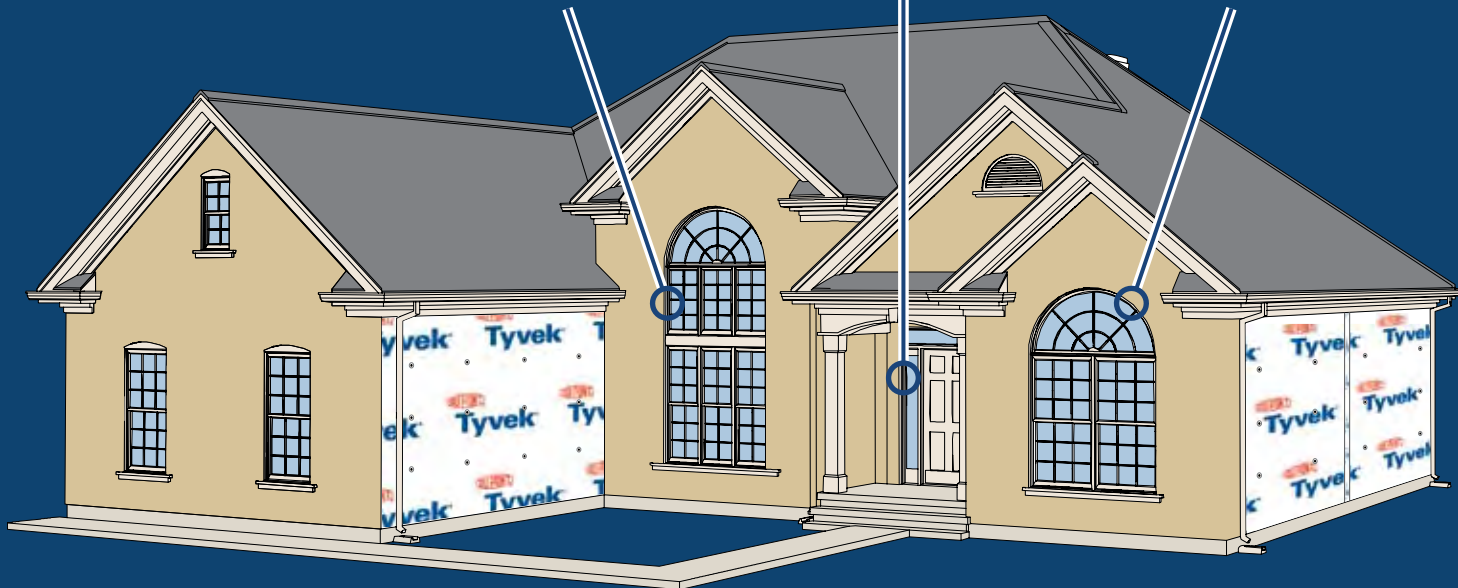


DuPont™  
**StraightFlash™ VF**

DuPont™  
**StraightFlash™**

DuPont™  
**FlexWrap™**



# DuPont™ Flashing Systems Installation Guidelines

HELPING YOU GET THE JOB DONE RIGHT

**INTEGRAL FLANGED WINDOW BEFORE WATER-RESISTIVE  
BARRIER (WRB) IS INSTALLED**



*The miracles of science™*

**VERSION 2**

## Table of Contents

Applicable Products .....	2
Required Materials .....	2
Optional Materials .....	2
DuPont Recommended Primers.....	2
DuPont Recommended Low Expansion Foams.....	2
DuPont Recommended Fasteners .....	3
General Instructions .....	3
Installation Instructions Integral Flanged Window <b>BEFORE</b> Water-Resistive Barrier (WRB) is Installed .....	4

## Applicable Products

### DuPont™ Flashing Systems Products

PRODUCT	DIMENSIONS	AREA
DuPont™ FlexWrap™	7 in x 75 ft	43.7 sq ft
	9 in x 75 ft	56.2 sq ft
	9 in x 250 ft	187.5 sq ft
DuPont™ StraightFlash™	4 in x 150 ft	50 sq ft
	9 in x 125 ft	93.75 sq ft

## Required Materials

- DuPont™ Flashing Systems
- DuPont™ Tyvek® Tape
- DuPont™ Weatherization Sealant
- DuPont™ Tyvek® Wrap Caps or other DuPont Recommended Fasteners
- Brushes for Surface Preparation

## Optional Materials

- Backer rod
- J -roller

## DuPont Recommended Primers\*

MANUFACTURER	PRODUCT NAME
3M	Hi-Strength 90
Denso	Butyl Primer (spray or can)
Henkel	SIA 655
Henkel	Permagrip® 105™
ITW TACC	STA'PUT SPH

\* Apply per manufacturers' guidelines. DuPont assumes no liability in use of recommended products; installers need to evaluate suitability of recommended products in their end-use applications.

## DuPont Recommended Low Expansion Foams\*

MANUFACTURER	PRODUCT NAME
Selena	Tytan™ Window & Door Pro
TodoI	E-Z Flo

\* Apply per manufacturers' guidelines. DuPont assumes no liability in use of recommended products; installers need to evaluate suitability of recommended products in their end-use applications.

## DuPont Recommended Fasteners\*

MANUFACTURER	PRODUCT NAME
DuPont	DuPont™ Tyvek® Wrap Cap nails
DuPont	DuPont™ Tyvek® Wrap Cap screws
DuPont	DuPont™ Tyvek® Wrap Cap staples (for Stinger™)
Several	1.0 inch minimum crown staples**

\* Apply per manufacturers' guidelines. DuPont assumes no liability in use of recommended products; installers need to evaluate suitability of recommended products in their end-use applications.

\*\* Except when installing DuPont™ Tyvek® WRBs over foam sheathing.

## General Instructions

DuPont™ Flashing Systems products should be installed on clean, dry surfaces that are free of frost. Wipe surfaces to remove moisture, dirt, grease and other debris that could interfere with adhesion.

Apply pressure along entire surface for a good bond using a J-roller or firm hand pressure.

Remove all wrinkles and bubbles by smoothing surface and repositioning as necessary.

When flashing the sill area for windows and doors, DuPont recommends the use of 7" wide DuPont™ FlexWrap™ for 2" x 4" framing and 9" wide DuPont™ Flexwrap™ for 2" x 6" framing. When rigid back dams are required or desired, an option would be to use a ¾" corner guard (back dam) cut to the length of the sill and nail into place on the interior edge of the sill prior to installation of DuPont™ FlexWrap™. Then install DuPont™ FlexWrap™ over sill and corner guard back dam.

Door and window rough sill framing must be level or slightly sloped to the exterior to ensure proper drainage to the exterior. DuPont recommends the use of the SureSill™ Sloped Sill Pan™, manufactured by SureSill, Ltd, on all exterior doors and in certain applications on windows. This best practice ensures continuous support with positive slope to the exterior. Please contact your local DuPont™ Tyvek™ Specialist for additional information and installation instructions.

**DO NOT STRETCH** DuPont™ FlexWrap™ when installing along sills or jambs. DuPont™ FlexWrap™ is only intended to be stretched when covering corners or curved sections.

DuPont™ Flashing Systems products perform best when installed at temperatures above 25°F (-4°C).

Avoid placing DuPont™ Tyvek® Wrap Caps where flashing will be installed; however, DuPont™ Tyvek® Wrap Caps can be applied over the flashing.

Where buildings could be exposed to extreme weather conditions (ie. sustained wind-driven rain above 50mph), install a high pressure skirt to help prevent water intrusion at the sill.

Priming is generally not required for adhering DuPont™ Flashing Systems products to most common building materials. However, adverse weather conditions or cold temperatures may require use of a primer to promote adhesion. Additionally, concrete, masonry, and fiber-faced exterior gypsum board require the use of approved primers. For primer recommendations, see page 2.

For additional guidelines and suggested sealants, please call 1-800-44-Tyvek (800-448-9835), visit our website at [www.Construction.Tyvek.com](http://www.Construction.Tyvek.com), or consult your local DuPont™ Tyvek® Specialist.

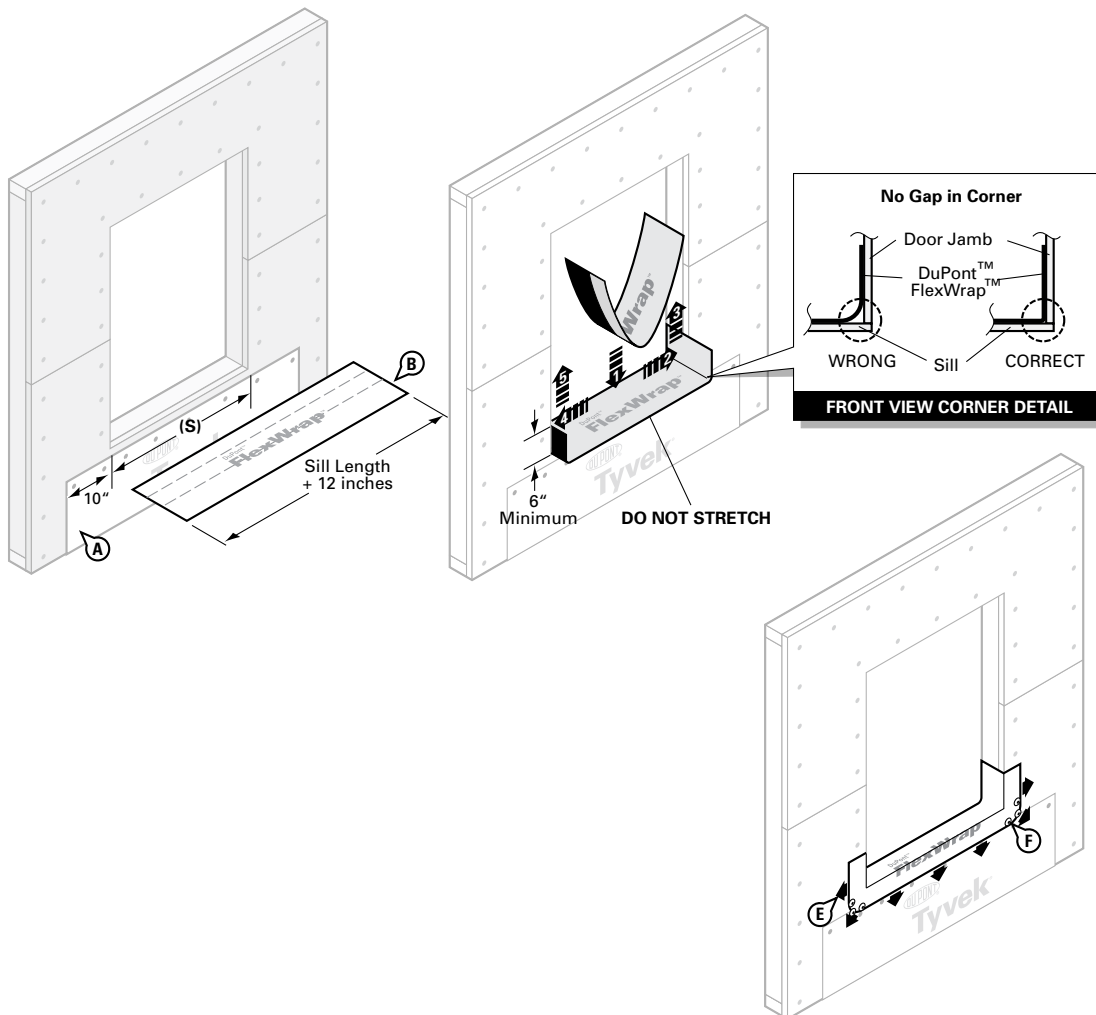
## Integral Flanged Window BEFORE Water-Resistive Barrier (WRB) is Installed

Method applies to following products:

- DuPont™ StraightFlash™
- DuPont™ FlexWrap™

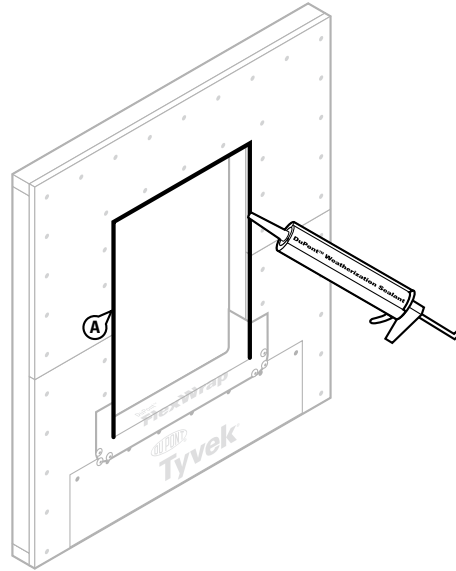
### STEP 1 – FOR RECTANGULAR WINDOWS

- Attach apron made of WRB under sill. Apron should extend at least 10" beyond sides of rough opening jambs (or to first stud in open stud construction), and far enough below the rough opening to overlap the sill plate or the WRB below. The top of the apron should be securely attached to wall and the bottom of apron should be left free to overlap later with WRB installation.
- Cut DuPont™ FlexWrap™ at least 12" longer than width of sill rough opening (S).
- Remove first piece of release paper, cover horizontal sill by aligning inside edge of sill, and adhere into rough opening across sill and up jambs (min 6" on each side).
- Remove second release paper.
- Fan out DuPont™ FlexWrap™ at bottom corners onto face of wall. Coverage of DuPont™ FlexWrap™ should be 2" to 3" onto the face of the wall.
- SECURE EDGES OF DUPONT™ FLEXWRAP™ WITH DUPONT RECOMMENDED FASTENERS** along the bottom outer edge of the DuPont™ FlexWrap™ at fanned corners.



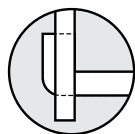
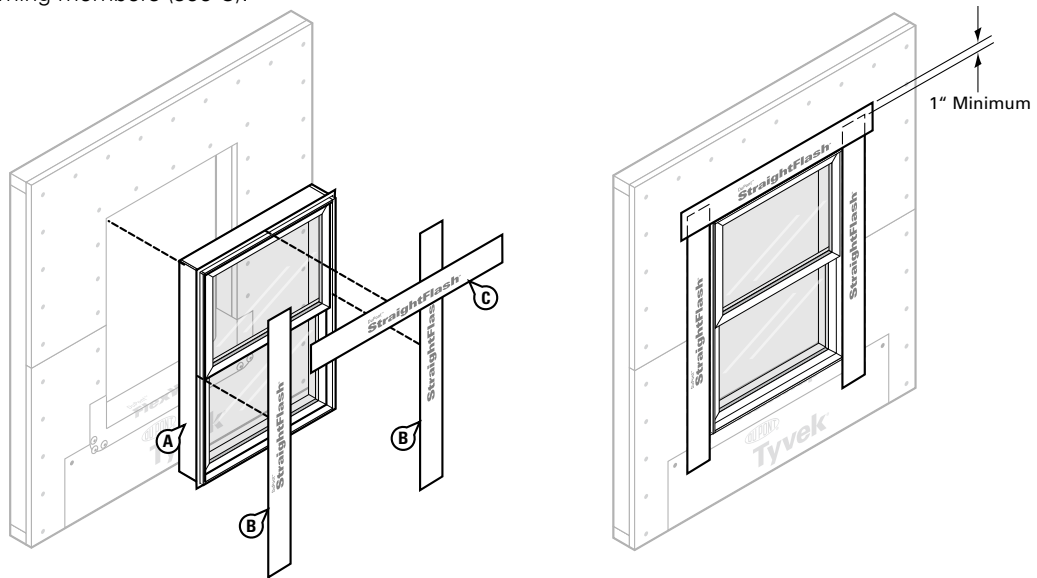
**STEP 2**

- A. Apply continuous bead of DuPont™ Weatherization Sealant at the window head and jambs to wall or back side of window mounting flange. **DO NOT APPLY CONTINUOUS SEALANT BEAD ACROSS BOTTOM SILL** to allow for drainage.

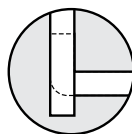


**STEP 3**

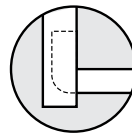
- A. Install window according to manufacturer’s instructions.  
 B. Cut two pieces of DuPont™ StraightFlash™ or DuPont™ FlexWrap™ for jamb flashing extending 1” above window head flange and below bottom edge of sill flashing. Remove release paper and press tightly along sides of window frame.  
 C. Cut a piece of DuPont™ StraightFlash™ or DuPont™ FlexWrap™ for head flashing, which extends beyond outer edges of jamb flashings. Remove release paper and install completely covering mounting flange and adhering to exposed sheathing or framing members (see C).



**INCORRECT**  
DuPont™ FlexWrap™  
reverse flashed



**INCORRECT**  
DuPont™ StraightFlash™  
flush with DuPont™  
FlexWrap™



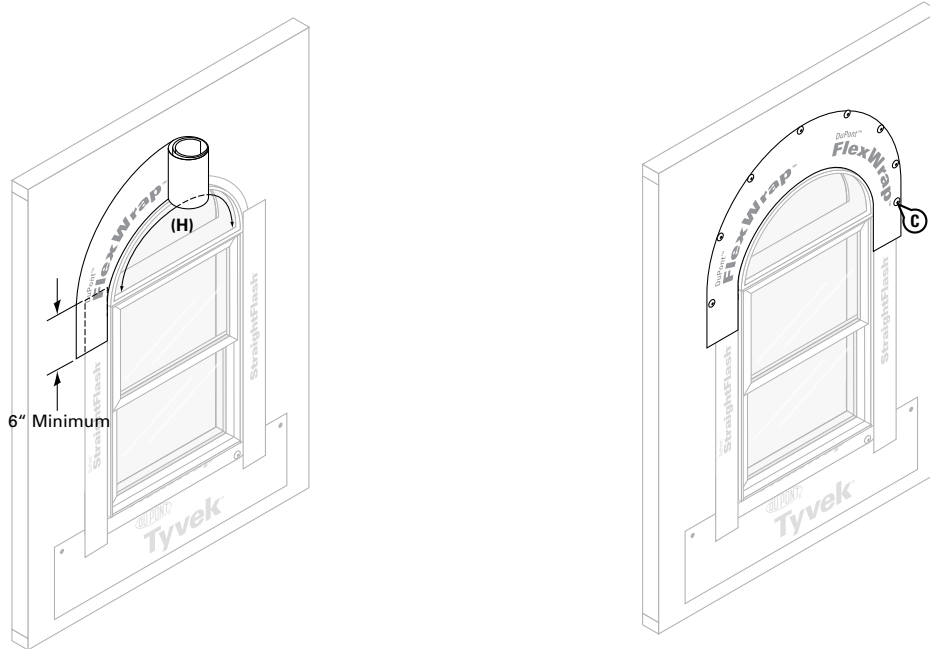
**CORRECT**  
DuPont™ StraightFlash™  
overlaps DuPont™  
FlexWrap™

**NOTE:** Do not reverse shingle. DuPont™ StraightFlash™ must overlap DuPont™ FlexWrap™ and adhere to the substrate.

## STEP 4 – FOR ROUNDTOP WINDOWS

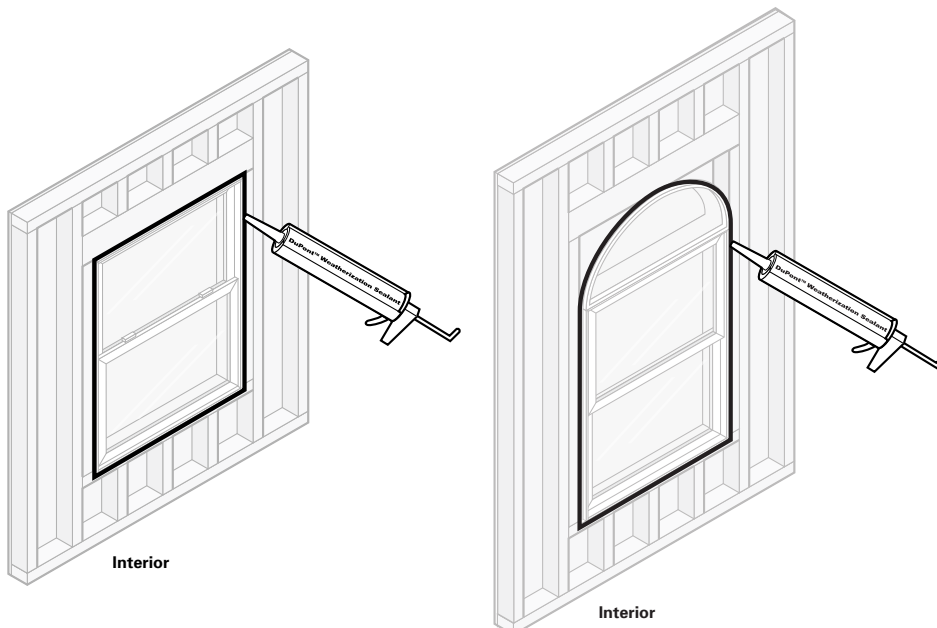
**NOTE:** Follow rectangular window instructions (Steps 1 through 3B) for proper installation of sill and jamb flashing prior to head flashing installation.

- A. Cut head flashing at least 12" longer than the arc length (H) of roundtop window.
- B. Remove both release papers and install to conform around top of window, covering entire mounting flange and adhering to exposed sheathing or framing members. Head flashing should overlap jamb flashings at least 6".
- C. Secure outer edges of head flashing using mechanical fasteners DuPont Recommended Fasteners every 6" to 12" along outer perimeter.



## STEP 5

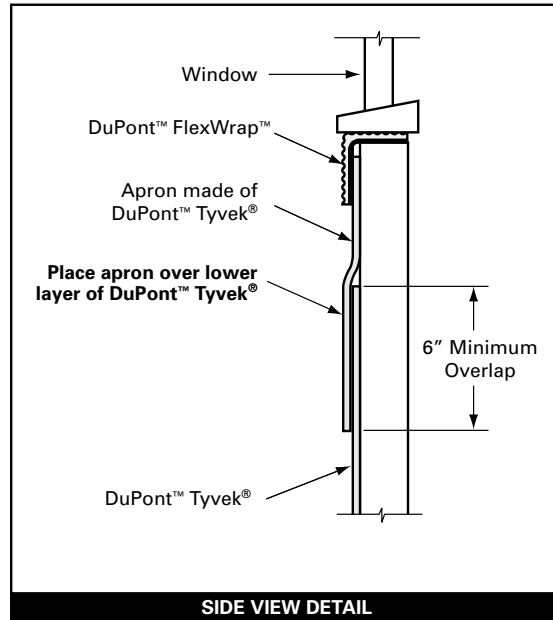
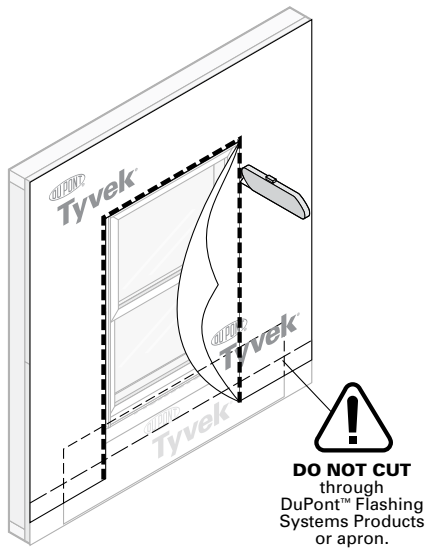
- A. Tool sealant around the window opening at the interior, using DuPont™ Weatherization Sealant or DuPont Recommended Low Expansion Foam (and backer rod as necessary). Sealant and backer rod will also serve as a back dam.



## STEP 6

A. After wrapping WRB, cut as shown to expose window and apron. (Refer to the DuPont™ Tyvek® Water-Resistive Barriers Installation Guidelines to install the WRB properly).

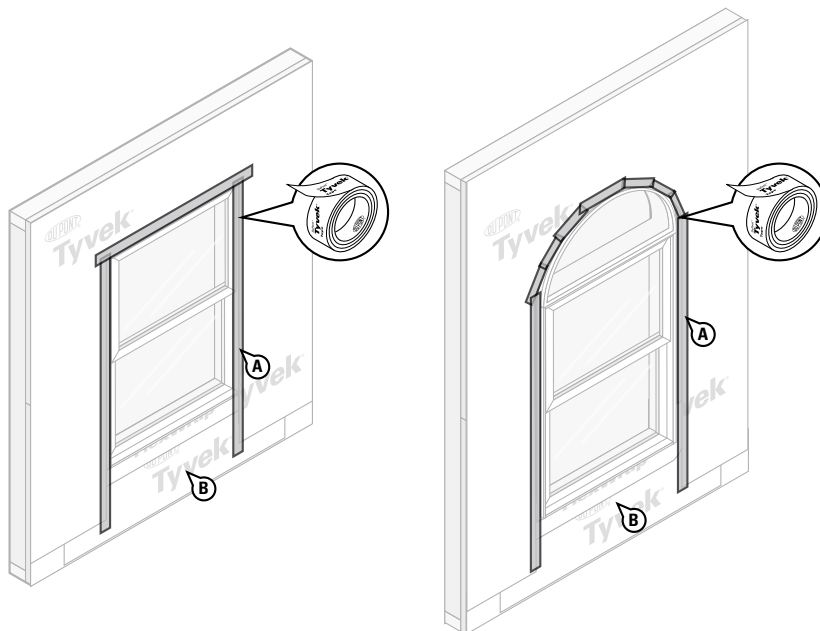
**DO NOT CUT THROUGH DUPONT™ FLASHING SYSTEMS PRODUCTS OR APRON.**



## STEP 7

Final Step

- A. Tape seams as shown. **DO NOT TAPE** at bottom of window. At the head, continuous tape seams as shown with DuPont™ Tyvek® Tape; if an air barrier is not required or if additional drainage is desired, then skip-tape at the head.
- B. Lap bottom of apron and WRB over building materials below for proper shingling.



## Technical Specifications

DuPont™ Tyvek® WRBs used in construction products is made from 100% flash spunbonded high density polyethylene fibers which have been bonded together by heat and pressure, without binders or fillers, into a tough, durable sheet structure. Additives have been incorporated into the polyethylene to provide ultraviolet light resistance. DuPont requires that DuPont™ Tyvek® WRBs be covered within four months (120 days) of installation.

DuPont™ Flashing Systems products are made from a synthetic rubber adhesive and a laminate of polyethylene film, elastic fiber, synthetic rubber adhesive, polyurethane adhesive, and a top sheet of flash spunbonded high density polyethylene fibers. Additives have been incorporated into these materials to provide ultraviolet light resistance. DuPont requires that DuPont™ Flashing Systems products be covered within four months (120 days) of installation.

## Warning

**DuPont™ Tyvek® WRBs are slippery and should not be used in any application where it will be walked on. In addition, because it is slippery, DuPont recommends using kickjacks or scaffolding for exterior work above the first floor. If ladders must be used, extra caution must be taken to use them safely by following the requirements set forth in ANSI Standards 14.1, 14.2 and 14.5 for ladders made of wood, aluminum, and fiberglass, respectively. DuPont™ Tyvek® is combustible and should be protected from a flame and other high heat sources. DuPont™ Tyvek® will melt at 275°F (135°C) and if the temperature of DuPont™ Tyvek® reaches 750°F (400°C), it will burn and the fire may spread and fall away from the point of ignition. For more information, call 1-800-44-Tyvek.**

**DuPont™ Flashing Systems products and their release paper are slippery and should not be walked on. Remove release paper from work area immediately. DuPont™ Flashing Systems products will melt at temperatures greater than 250°F (121°C). DuPont™ Flashing Systems products are combustible and should be protected from flame and other high heat sources. DuPont™ Flashing Systems products will not support combustion if the heat source is removed. However, if burning occurs, ignited droplets may fall away from the point of ignition. For more information, call 1-800-44-Tyvek.**

**DuPont™ Weatherization Sealant is irritating to skin, eyes, and respiratory tract. For proper usage, follow directions stated on the product label. For health information, refer to the Material Safety Data Sheet or call Chemtrec at 1-800-424-9300.**

## Note

When installed in conjunction with other building materials, DuPont™ Flashing Systems products must be properly shingled with these materials, such that water is diverted to the exterior of the wall system. DuPont™ Tyvek® products are WRBs and not the primary water barrier (the outer facade is the primary barrier). You must follow façade manufacturer's installation and maintenance requirements for all façade systems in order to maintain water holdout properties and ensure performance of DuPont™ Tyvek®. Use of additives, coatings or cleansers on or in the façade system may impact the performance of DuPont™ Tyvek® water-resistive barriers. DuPont™ Tyvek® Weatherization Systems products are to be used as outlined in this installation guideline. DuPont™ Flashing Systems products should only be used to seal penetrations and flash openings in houses or buildings. DuPont™ Flashing Systems products are not to be used in roofing applications. For superior protection against bulk water penetration, DuPont suggests a system combining a quality exterior facade, a good secondary WRB, an exterior sheathing, appropriate flashing materials and details. In addition, DuPont suggests to use high quality windows and doors with particular attention to proper installation of each component. In a system where no exterior sheathing is used and DuPont™ Tyvek® is installed directly over the wall studs, exterior facade materials should be selected to ensure maximum protection against water intrusion. Careful workmanship and proper installation of each component is very important.

DuPont believes this information to be reliable and accurate. The information may be subject to revision as additional experience and knowledge is gained. It is the user's responsibility to determine the proper construction materials needed.

For complete warranty information, please call 1-800-44-Tyvek. To submit a warranty claim, please contact DuPont at [www.Construction.Tyvek.com](http://www.Construction.Tyvek.com) or call 1-800-44-Tyvek. Warranty coverage requires submission of proof of purchase of the DuPont™ Tyvek® at issue.

This information is not intended to be used by others for advertising, promotion or other publication for commercial purposes

For more information about DuPont™ Tyvek® Weatherization Systems, please call 1-800-44-Tyvek or visit us at [www.Construction.Tyvek.com](http://www.Construction.Tyvek.com)



*The miracles of science™*

DuPont™  
**Flashing Systems**